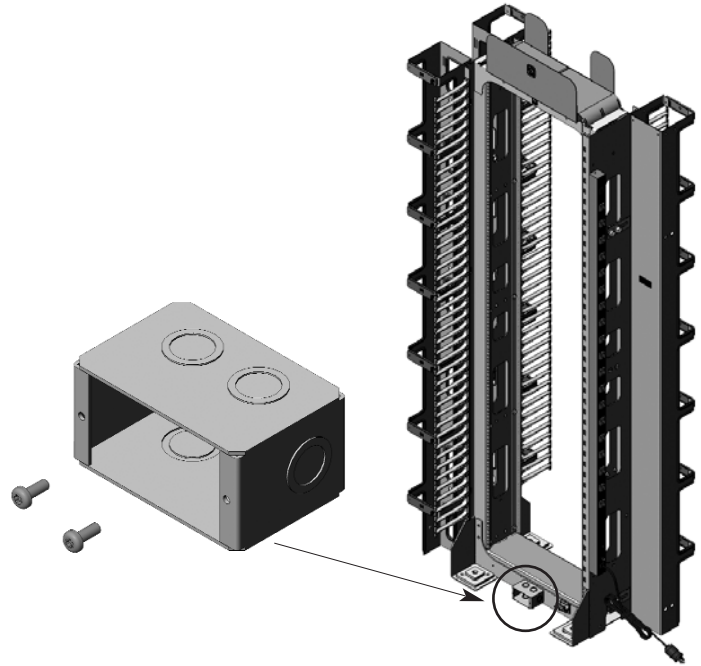


Product Information Sheet

DUPLEX ELECTRICAL OUTLET BOX FOR SEISMIC FRAME® TWO-POST RACK

Provides a location for a power connection at the base of the Seismic Frame® Two-Post Rack.

- Includes a single-gang electrical outlet box for a single duplex receptacle and two self-tapping Torx head T25 installation screws
- Outlet box is welded steel, 3-3/4" H x 1-13/16" W x 2-1/2" D (95 mm x 46 mm x 64 mm) with a 15.5 in³ (250 cm³) wiring capacity, has eight (four accessible) concentric knockouts for 1/2" or 3/4" conduit, and is zinc galvanized for corrosion protection
- UL Listed



Part Number	Description	Shipping Weight
13698-001	Duplex Electrical Outlet Box	1 lb (0.5 kg)

Color is zinc.

800-834-4969 in U.S. & Canada • www.chatsworth.com



CHATSWORTH PRODUCTS, INC.

©2008 Chatsworth Products, Inc. All rights reserved. CPI, CPI Passive Cooling, Saf-T-Grip, Seismic Frame, SlimFrame and MegaFrame are federally registered trademarks of Chatsworth Products, Inc. Cube-IT Plus, Evolution, Simply Efficient, TeraFrame and QuadraRack are trademarks of Chatsworth Products, Inc. All other trademarks belong to their respective companies. NB/08/08