



## Wi-Fi access point mounting solutions for every environment.



**Quickly find your ideal  
mounting solution from among  
hundreds of options with the  
Oberon™ Solution Finder at**

**[oberonwireless.com/solutions-finder](https://oberonwireless.com/solutions-finder)**

**Oberon has solutions for:**



**Healthcare**

**Education**

**Commercial**

**Government/Local Municipalities**

**Industrial/Manufacturing/Warehouses**

**Hospitality/Retail**

**Transportation**

**Public Venues**

**Secure.  
Aesthetic.  
Convenient.**

**You need enclosures and mounting solutions for wireless access points in a wide variety of environments. Oberon ensures every wireless installation is secure, easy to maintain, and matches your aesthetic.**

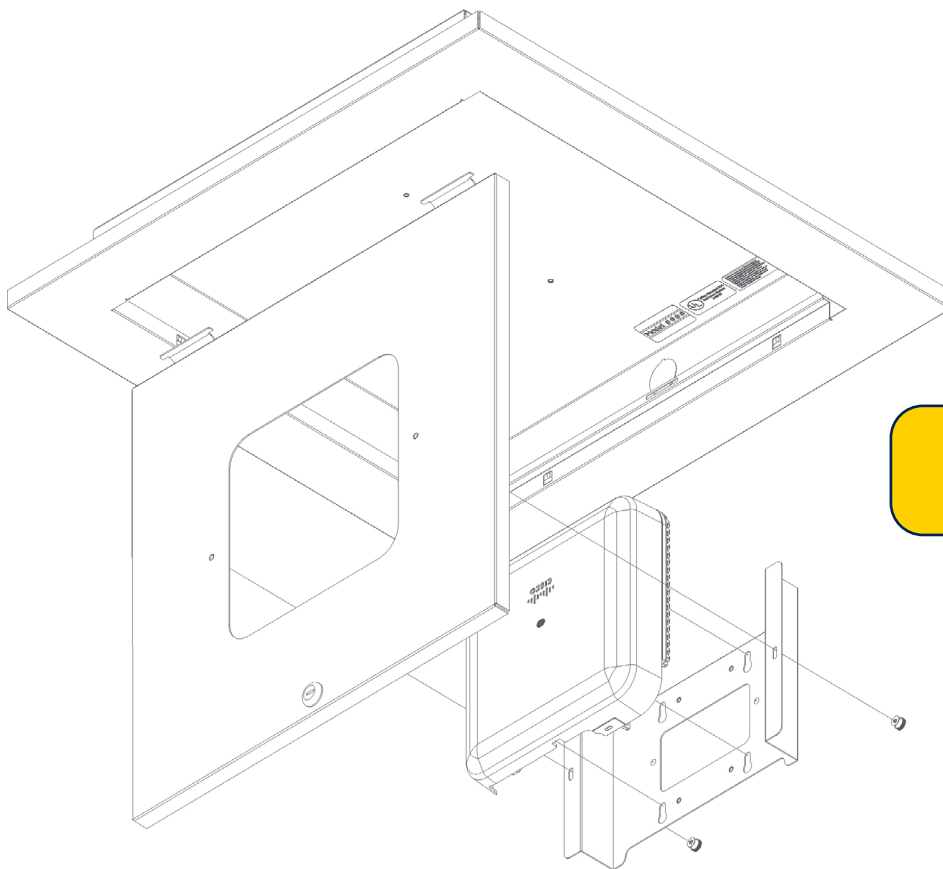
## **Table of Contents:**

<b>4</b>	<b>Wi-Tile™ Ceiling Enclosures</b>
<b>6</b>	<b>In-Plane™ Recessed Mounts</b>
<b>8</b>	<b>H-Plane™ Right-Angle Surface Mounts</b>
<b>10</b>	<b>Hi-Bar™ Surface-Mount Enclosures</b>
<b>12</b>	<b>Skybar™ Environmental Enclosures</b>
<b>14</b>	<b>NetPoint™ Bollards</b>
<b>16</b>	<b>M-Frame™ Open-Ceiling Mounts</b>
<b>18</b>	<b>Oberon™ Access Point Covers</b>
<b>20</b>	<b>Retrofit Doors and Accessories</b>



# Oberon™ Wi-Tile™ Ceiling Enclosures

Provide security for vital Wi-Fi and small cell access points without compromising connectivity with Wi-Tile locking enclosures for suspended and hard ceilings.



Discover more about Wi-Tile at:  
[oberonwireless.com](http://oberonwireless.com)

Ideal for any environment where security is paramount, including healthcare, financial, retail and government facilities. Wi-Tile's full back-box permits access to the AP without opening the plenum space. This convenient feature is of special benefit to healthcare environments, as it simplifies Infection Control Risk Assessment (ICRA) procedures.

- > Ensure security for your mission-critical networks
- > Locking and interchangeable doors for all leading AP vendors
- > Use in plenum or non-plenum ceiling spaces
- > Options for suspended or hard ceilings
- > Simplifies Infection Control Risk Assessment (ICRA) procedures

## Wi-Tile™ Ceiling Enclosures

### 1047 Series

Oberon's most popular enclosure offers the security and professional aesthetics required in a suspended ceiling environment. This economical, locking, ceiling enclosure mounts and secures Wi-Fi and small cell APs flush to the ceiling. The steel enclosure replaces a standard ceiling tile, and its large back-box is suitable for most APs and antennas. The enclosure is only 3" (76 mm) deep, facilitating installation in crowded ceiling spaces. APs are mounted in the door or inside models with plastic domes. The interchangeable door simplifies AP and antenna upgrades. The 1047 dash number (see images) indicates the AP for which the door is designed. Interchangeable doors are available for all leading vendors' APs. Styles are available for both standard flush grid and recessed tegular grid ceilings, and for both North American and European (metric) ceiling systems. UL listed for plenum ceiling installations.



1047-ARAP655



1047-CW9166



1047-EXAP5010



1047-MIST43



1047-LPDOME

### 1074 Series

A premium locking suspended ceiling enclosure similar to 1047 Series, but with a larger, deeper back box designed for heavier DAS radio units and small cells. The 1074 Enclosure can also be fitted with a junction box to provide electrical power and used for general purpose telecom, IoT or multimedia equipment.



1074-SC-04-DOME



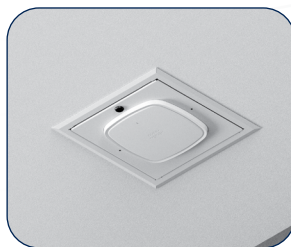
1074-N3RU (OPEN)

### 1076 Series

This enclosure provides a convenient way to recess and secure APs in a hard lid ceiling or wall. The steel enclosure is sized to fit between ceiling joist while providing a 12.75" (324 mm) wide back-box for APs. The enclosure bezel is formed as a single piece to provide a smooth, tight connection to the ceiling or wall. There is no exposed installation hardware. APs are mounted in the door or inside models with plastic domes. UL listed for A.C. line powering and installation in plenum spaces.



1076-WA

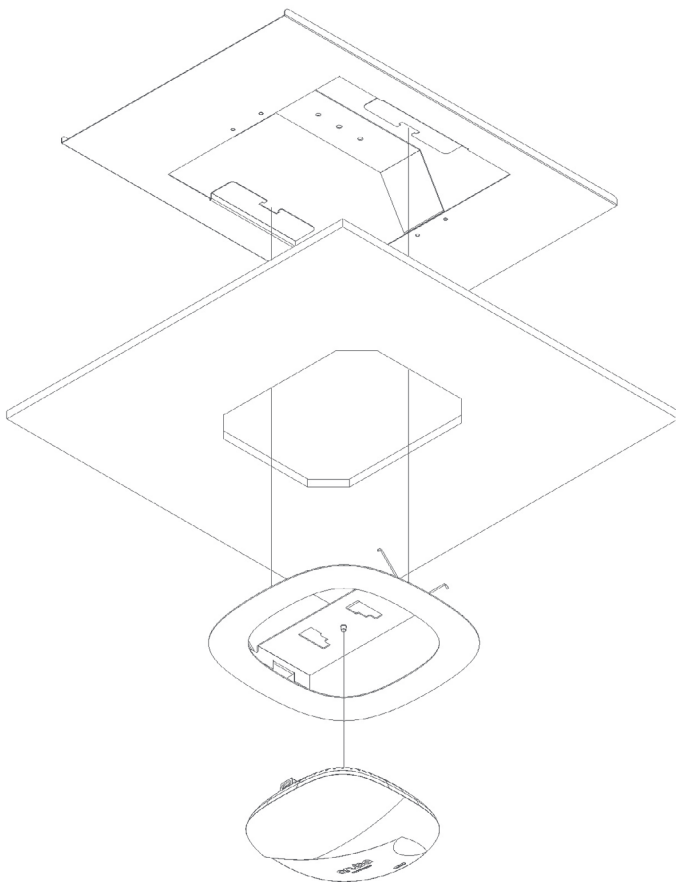


1076-COAP9130



# Oberon™ In-Plane™ Recessed Mounts

Recess Wi-Fi access points into panel, suspended, or hard ceilings for an aesthetic look with optimum wireless performance.



Discover more about In-Plane at:  
[oberonwireless.com](http://oberonwireless.com)

Oberon's In-Plane ceiling mounts reveal only the wireless side of the AP for a sleek and professional look. AP-specific trims or paintable, low-profile, RF-transparent concealment covers complete the aesthetic.

These products are designed to aesthetically integrate wireless technology into any venue, especially locales that are architecturally, historically or visually sensitive.

- > Interchangeable, snap-in trims simplify AP installation and service
- > Paintable cover blend seamlessly into the environment
- > Recess APs into suspended ceiling tiles, ceiling panels, and hard ceilings

## In-Plane™ Recessed Mounts

### 1040 & 1044 Series

The Models 1040 Series and 1044 Series are economical cloud/canopy/suspended ceiling mounting kits for most vendors' APs and antennas. Only the front face of the AP is exposed for optimal wireless coverage. The AP is attached to the white trim and drawn into the panel bridge with a torsion spring, much like a recessed lighting fixture. The AP and network connection are housed in a support bracket (1040) or full back-box (1044) above the ceiling. Both models features interchangeable AP-specific trims for future AP migrations, full covers (-FL or -FLRD) to hide APs within the enclosure, or covers that support small exterior antennas (-ANTPLATE). Use the 1040 Series in non-plenum-rated ceiling spaces. Use the 1044 Series in plenum-rated ceiling spaces.



1040-COAP9130



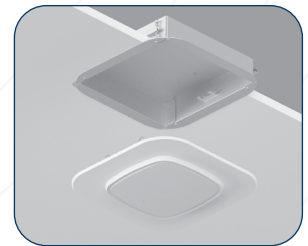
1044-ARAP535

### 1042 & 1043 Series

The Models 1042 Series and 1043 Series offers the simplest way to mount APs and antennas from most leading vendors into existing hard (drywall/sheetrock) ceilings up to 1.5 in. thick, for an aesthetic, professional installation. Only the front face of the AP is exposed for optimal wireless coverage. The AP is attached to the white trim and drawn into the panel bridge with a torsion spring, much like a recessed lighting fixture. The AP and network connection are housed in a full back-box. Both models features interchangeable AP-specific trims for future AP migrations, full covers (-FL or -FLRD) to hide APs within the enclosure, or covers that support small exterior antennas (-ANTPLATE). Use the 1042 Series when remodeling in existing construction. Use the 1043 Series for new construction, when wall board has not yet been installed.



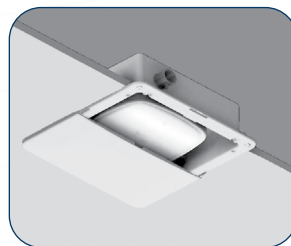
1042-CW9166



1042-COAP9130

### 1018 Series

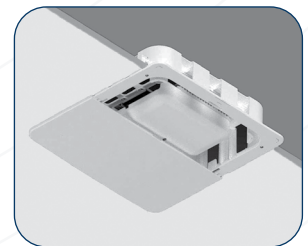
Oberon's Model 1018 provides a convenient way to conceal Wi-Fi and small cell access points into a drywall ceiling or wall for an aesthetic, professional installation. The 1018 is an all-plastic recess box with mounting features for leading vendors' APs. The recess box installs into an opening in the ceiling or wall in minutes. The AP, surface mount box, patch cord, and associated cabling can be organized inside the recess box, and the low-profile cover snaps into place. The paintable white cover largely blends into most ceilings or walls. Oberon's Model 1018 is uniquely designed to satisfy UL 2416 requirements for in-wall mounted enclosure systems. Unlike metal in-wall boxes, the Model 1018 will have minimum impact on wireless performance.



1018-00

### 1019 Series

This extremely low-profile enclosure conceals WiFi and small cell APs, Wi-Fi routers, and associated cabling in residence halls, hotels, multiple dwelling units, retail locations and other indoor venues. The recessed AP is covered by a snap-on cover which looks great in most environments and can be painted to match historic or colorful settings. The UL 94-5VB ABS plastic enclosure is virtually transparent to wireless signals for optimum wireless coverage. To facilitate cable termination and management, the 1019 features slots for furniture faceplate RJ-45 modular jacks. There is also a surface-mount version of this enclosure that can be used as a MUTOA.

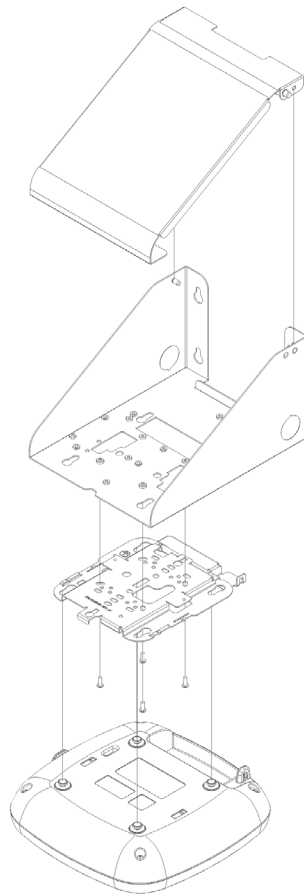


1019-RM



# Oberon™ H-Plane™ Right-Angle Surface Mounts

Mount Wi-Fi access points horizontally on walls and in open ceilings with Oberon's H-Plane right-angle surface mounts.



Discover more about H-Plane at:  
[oberonwireless.com](http://oberonwireless.com)

In large open spaces, it is often necessary to surface-mount APs to walls or ceiling structures. Many Wi-Fi and small cell access point manufacturers recommend APs be mounted in a horizontal orientation for optimal wireless coverage.

With Oberon's H-Plane right-angle surface mounts, the AP can be mounted on the wall in the preferred horizontal orientation. Enhance wireless coverage in wide-open venues such as auditoriums, conference rooms, exhibit halls and restaurants.

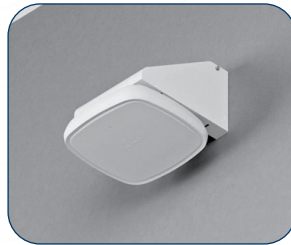
- > Mount APs in the preferred horizontal position
- > Mounting features for all leading APs
- > Optimal wireless coverage, even in large areas



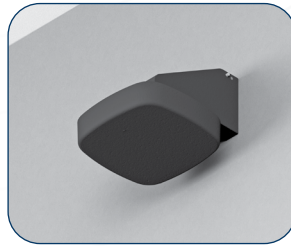
## H-Plane™ Right-Angle Surface Mounts

### 1011 Series

Achieve optimal wireless coverage by mounting Wi-Fi AP in preferred horizontal orientation on walls. This H-Plane right-angle mounting bracket has a hinged, snap-down cover and sidewalls to help conceal cabling and can be placed directly over a data outlet. Mounting features for Cisco and Aruba Networks APs and includes universal T-bar for most other vendors' APs. Attractive white or black powder-coated steel finish. Ideal for environments such as hotels and retail spaces. Add a matching black AP vanity cover to help to conceal AP in open ceiling environments.



1011-00-WH



1011-00-BK

### 1012 Series

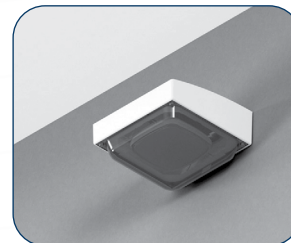
This series is similar to 1011 Series, but has a locking mechanism for the AP and cover. Select 1012 if you need to add physical security for the network connection and AP mount.



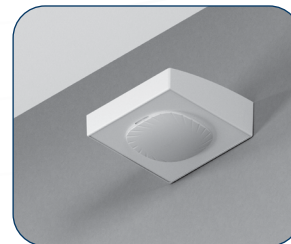
1012-00

### 1007 Series

This is Oberon's most attractive right-angle wall mount. Use where aesthetics are paramount. The 1007 Series is an attractive white plastic mount with interchangeable trims for all leading vendors' APs. The AP is mounted in the trim and recesses into the mount, providing for the ideal combination of aesthetics and wireless coverage. A locking plastic cover on the back secures and conceals cabling and connectivity, providing for a nicely finished installation. Oberon's 1007 Series right-angle wall mounts permit the AP to be mounted on walls in the preferred horizontal orientation, even where appearance is most critical.



1007-FPDOME



1007-ARAP535

### 1006 Series

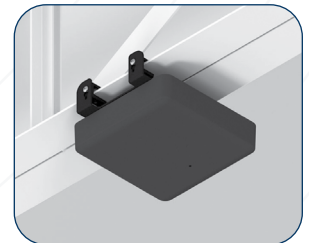
With the 1006 series, the AP is partially recessed into the right-angle bracket, exposing only the antenna face of the AP, providing a cost effective combination of aesthetics and wireless coverage. Available for leading AP makes and models.



1006-CW9166

### 1008 Series

Restaurants, retail establishments, and many other environments with open ceilings can benefit from this convenient joist or wall mounting solution. Quickly install AP in preferred horizontal orientation. Mounting features are available for all leading vendors' APs. Includes two beam clamps and wall anchors. The AP can be locked in place using the AP manufacturer's locking features. Add a matching black AP vanity cover to help to conceal AP in open ceiling environments.



1008-00-BK

### 900-HC Series

Position access points in open ceilings at the right height and orientation for optimal coverage with Oberon's Model 900-HC Series. The 900-HC mounts APs from all leading vendors directly onto a hanging conduit in open ceilings, and can alternatively be used for surface mounting on walls. The hinged design facilitates the standards-compliant termination of horizontal cable inside the box, making it simple to connect the patch cord to the access point. Available in white and black. Add a matching black AP vanity cover to conceal the AP in many open ceiling environments.



900-HC-WH

### 905 Series

Model 905 is a surface-mount locking enclosure that recesses the AP in the door. It can be mounted over a wall outlet or can be attached to hanging conduit with an accessory adapter plate.



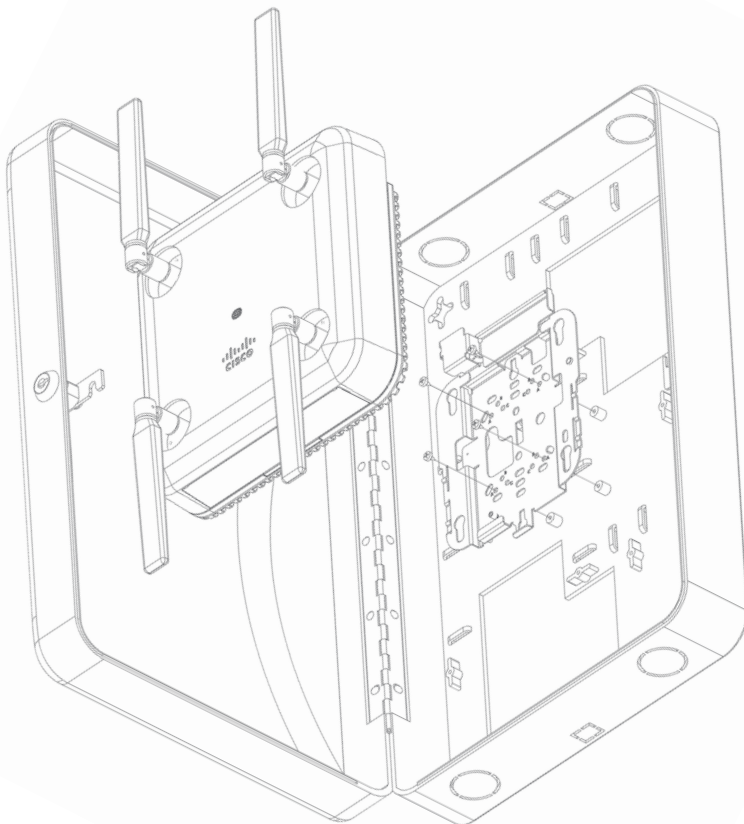
905-ARAP535



# Oberon™ Hi-Bar™

## Surface-Mount Enclosures

Protect and conceal Wi-Fi access points on walls and hard ceilings.



Discover more about H-Plane at:  
[oberonwireless.com](http://oberonwireless.com)

Oberon's Hi-Bar mounts and enclosures are ideal for securing, and concealing APs, cabling and antennas on walls and hard ceilings. Often used in commercial, healthcare, and education venues, Hi-Bar features RF-transparent materials for providing coverage where it is needed and a layer of physical protection for the AP. Most models can optionally be placed directly over the data outlet for utmost convenience. Mounting solutions are available for all leading AP models.

- > Protect your APs in a variety of installation environments
- > Designed for professional installations
- > Conceal APs, antennas, and cabling

## **Hi-Bar™ Surface Mount Enclosures**

### **1015 Series**

Oberon's 1015 Series enclosures secure and protect Wi-Fi and small cell APs in indoor venues such as residence halls, hotels, retail locations, classrooms, auditoriums or stadiums. This paintable, impact resistant ABS plastic enclosure is virtually transparent to wireless signals, so APs with integrated antennas may be protected. The box can be mounted directly over the telecommunication outlet, but also has twist outs for surface-mount cable raceway or conduit. Available in multiple sizes with locking opaque or clear cover.



1015-C

### **1016 Series**

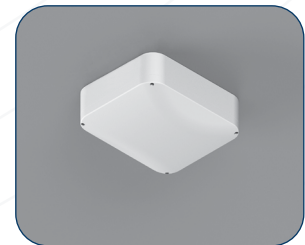
The 1016 Series is similar to the 1015 Series, but larger. This paintable, impact resistant polycarbonate plastic enclosure is virtually transparent to wireless signals so APs with integrated antennas or small detachable or directional antennas may be protected. The box can be mounted directly over the telecom outlet and cabling can be neatly concealed. Cable raceway or conduit can be conveniently terminated. Available with a locking opaque or clear cover.



1016-00

### **1014 Series**

Provides a compact, non-locking alternative for smaller APs. The lid attaches with tamper resistant screws. This paintable, rugged polycarbonate enclosure protects the AP and associated cabling from tampering and disconnect and is virtually transparent to wireless signals. The enclosure is paintable, and a vented version is also available.



1014-IND

### **1013 Series**

This 2-axis articulating wall mount secures most manufacturers' APs and directive (or patch) antennas on pillars and walls. AP and directional antenna attach to this mount, and the antenna can be pointed in any direction to achieve desired wireless coverage. The wall mount bracket can be placed directly over data outlet for convenience. Ideal for anywhere directional coverage is required, such as in classrooms, auditoriums and stadiums.



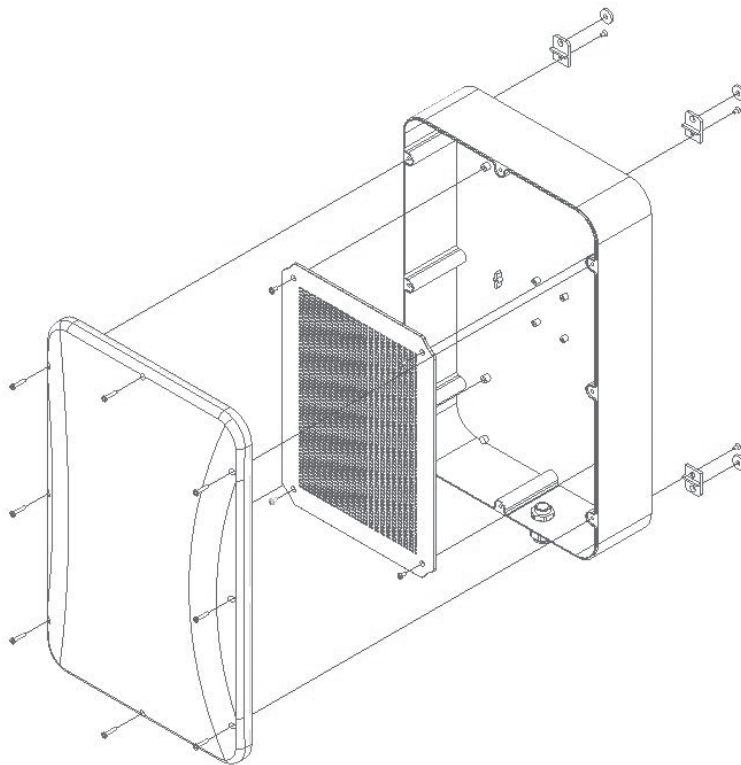
1013-COVER

**Architecturally sensitive environments demand the low profile and security of Hi-Bar Surface-Mount Enclosures.**



# Oberon™ Skybar™ Environmental Enclosures

Outdoor and public venue access point enclosures.



Discover more about Skybar at:  
[oberonwireless.com](http://oberonwireless.com)

Oberon's Skybar outdoor products feature distinctly curved screw-on covers, attractively colored and textured surfaces, and mounting features for most vendor's APs and antennas. Conceal and protect access points, antennas, and cables in outdoor environments, parking garages, warehouses, campuses, beneath stadium and auditorium seats, or other venues where the AP needs to be protected from weather and tampering.

- > Keep wireless equipment safe from weather and tampering
- > NEMA 4X designs for weather protection
- > Tamper resistant screws to prevent tampering or hinged doors that can be padlocked
- > Accessory mounting options from light poles to stadium seats

## SkyBar™ Environmental Enclosures

### 1020 Series

Oberon's most compact NEMA 4 enclosure for APs with integrated antennas. This rugged polycarbonate enclosure protects the AP from weather, pressure spray, spilling liquids, dust and impacts, and is transparent to wireless signals. Available with opaque or clear cover. Cover secures with tamper resistant screws. Wall angle, pole-mount and underseat brackets are available as accessories.



1020-C



1020-00 and  
39-1020-RAB

### 1021 Series

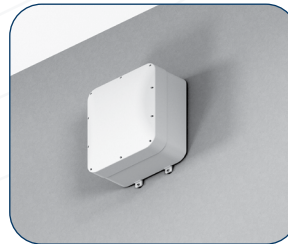
This is a large enclosure, allowing space for both an AP and an external antenna or a larger AP. An accessory mounting plate for antennas is also available.



11021-00 (cover removed) and  
39-1021-ANTPLATE

### 1022 Series

This is a deeper, midsize enclosure that can be used for larger APs or panel-mounted IoT.



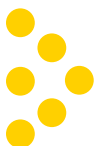
1022-00

### 1024 Series

Alternate enclosure style with a hinged door. This rugged polycarbonate, indoor/outdoor NEMA 4X, low profile enclosure has a hinged door with latches, molded-in padlock hasp for locking and a removable interior panel for attaching an AP. Enclosure is paintable. Available with opaque or clear door.



1024-00

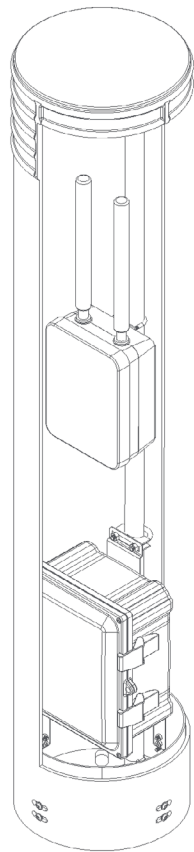


**Oberon's Model 1020, 1021, and 1022 Series enclosures are now rated NEMA 4X-PW. The "PW" in the model number indicates that this enclosure satisfies the NEMA ancillary rating for high-pressure power wash (PW) environments.**



# Oberon™ NetPoint™ Bollards

Outdoor and public venue access point enclosures.



Discover more about Bollards at:  
[oberonwireless.com](https://oberonwireless.com)

Wireless designers need a wide selection of enclosures and mounting solutions to facilitate wireless deployments indoors, outdoors and in public venues. These outdoor Wi-Fi bollards are designed to protect Wi-Fi APs, antennas, cabling and associated networking gear right at the location of need. Oberon's Wi-Fi bollards are available in a wide range of colors and heights to blend seamlessly into any campus, park, or metro venue.

- > Wireless deployment for almost every scenario
- > Integrate Wi-Fi APs and networking equipment right at the location of need
- > Available in a wide range of colors and heights

*NOTE: 6 GHz Access Points (e.g. Wi-Fi 6E) may only operate outdoors in the United States in the Standard Power mode (requiring AFC coordination). Low Power Indoor (LPI) Access Points are restricted to indoor only operation.*

## NetPoint™ Bollards

### **3032 Series**

Oberon's NetPoint 3032 Series Wireless Bollard is a cost-effective way to extend wireless and Wi-Fi coverage in auditoriums, sports venues, courtyards, malls, and campus open areas. Mount Wi-Fi APs and antennas precisely where they are needed rather than on buildings or light poles with less-than-ideal coverage or aesthetics. The bollard protects APs and antennas from weather and tampering. The polyethylene thermoplastic cylinder is virtually transparent to wireless signal. The 3032 cylinder has an 11" (279 mm) inside diameter, and is available in 14 colors and custom heights.



3032-00-URBZ-57



3032-LH-BK-60

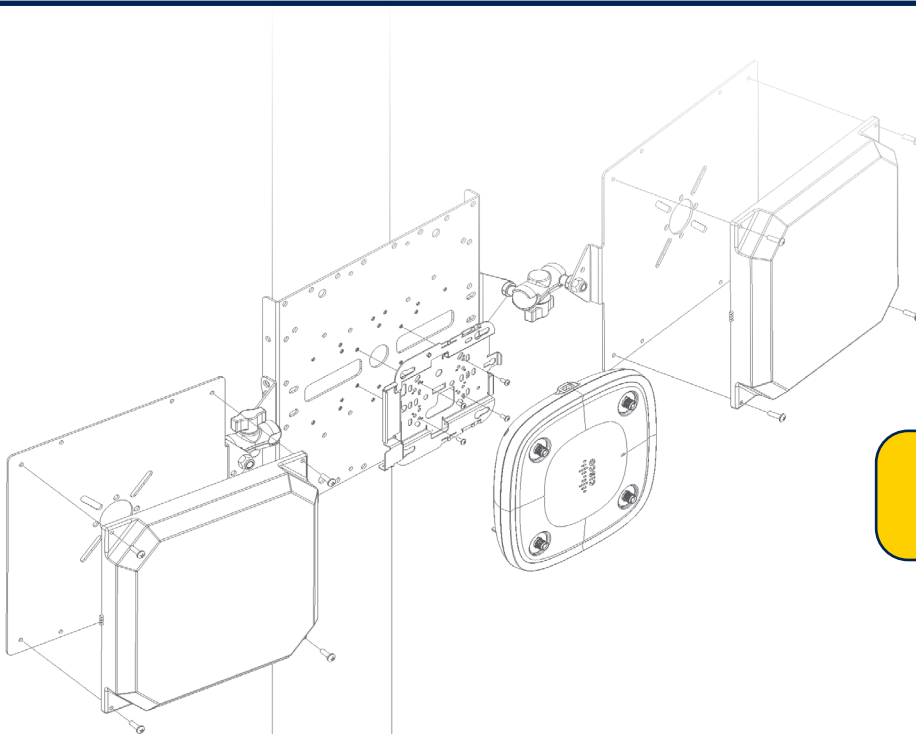
**NetPoint™ Bollards construction allows for a virtually transparent wireless signal while being weatherproof and tamper-resistant.**





# Oberon™ M-Frame™ Open-Ceiling Mounts

Experience Oberon's universal Wi-Fi access point and antenna mounting platform for industrial, manufacturing, and warehouse environments.



Discover more about M-Frame at:  
[oberonwireless.com](http://oberonwireless.com)

Reduce access point and antenna installation time and cost in challenging industrial environments with Oberon's M-Frame modular wireless mounting platform. At the center of the M-Frame is a simple yet innovative base plate. Each base model includes this plate along with an attachment to accommodate your choice of antennas. Once you've determined your antenna configuration, select from a variety of accessories for mounting the assembly in your selected location. Need to suspend the AP from the ceiling? Attach it to concrete? Clamp it to existing structure or strap it to a column? These are just a few of the options the M-Frame collection offers.

- > Customize your solution by antenna configuration and mounting location
- > Provide Wi-Fi precisely where it is needed in challenging environments
- > One solution manages all your varied installation needs



## M-Frame™ Open-Ceiling Mounts

### 1312 Series

Oberon's 1312 Series mounting frames simplify and optimize the installation of APs, connected antennas, and associated accessories in warehouses, manufacturing facilities and other areas with large open ceilings. The 1312 features modular frames for easy configuration, quick installation, consistent implementations, and maintenance-free operation. Accessories permit mounting and protecting M-Frame in just about any type of construction environment, from suspension in open ceilings to installation on concrete surfaces.



1312-00



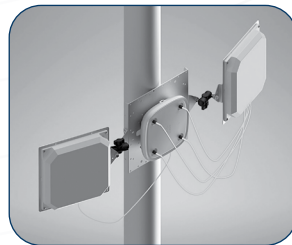
1312-AM1



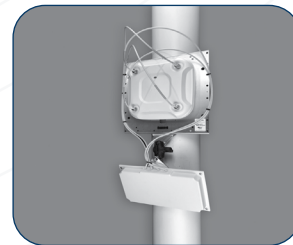
1312-AM2



1312-RAB



1312-AM4



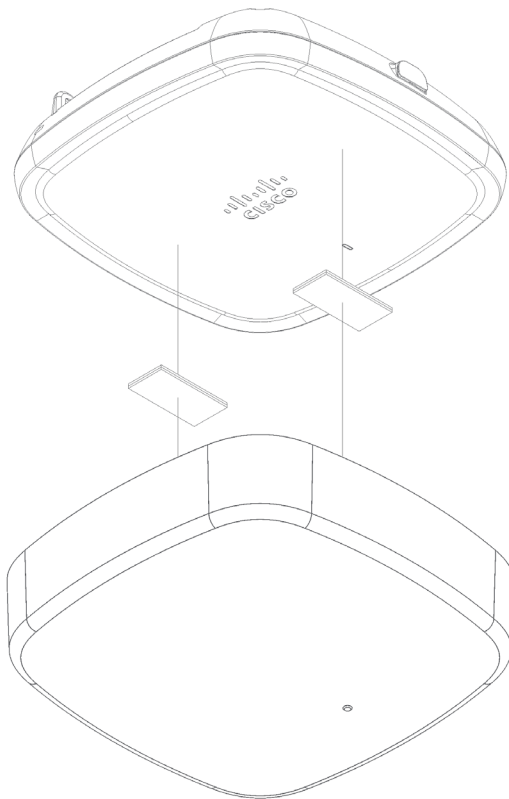
1312-AM3

**The M-Frame™ is a cost-effective solution for simplifying installation of accesspoints with directional and omnidirectional antennas from all leading vendors.**



# Oberon™ Access Point Covers

These plastic Wi-Fi access point covers can help blend your access point into any venue.



Discover more about AP Covers at:  
[oberonwireless.com](http://oberonwireless.com)

Oberon's AP covers are made from an ABS plastic that is virtually transparent to wireless signals. Customize the color of the cover by painting the cover to match or complement interior color schemes without affecting the AP manufacturer's warranty by painting with non-oil, non-metallic paints. Sizes and shapes are available to match most leading APs. AP covers are ideal for open, exposed structure ceilings.

- > Conceal Wi-Fi APs in open, exposed structure ceilings
- > Thin ABS plastic is virtually transparent to wireless signal
- > AP covers are paintable using an enamel spray paint such as Krylon

## Covers

### Access Point Covers

Conceal or customize the appearance of Wi-Fi APs with Oberon's detachable AP covers. The vanity cover is made from an ABS plastic that is virtually transparent to wireless signals and includes stick-on cover fasteners. Painting the cover allows you to achieve the perfect match for any environment without voiding the AP manufacturer warranty. Shapes and sizes are available for most leading APs. Ideal for open, exposed ceilings in hospitality and retail spaces.



33-VCVR-10102  
For Cisco 9136, Aruba  
AP535, Mist AP43



Cover used with  
H-Plane 1008 Series

### Antenna Covers

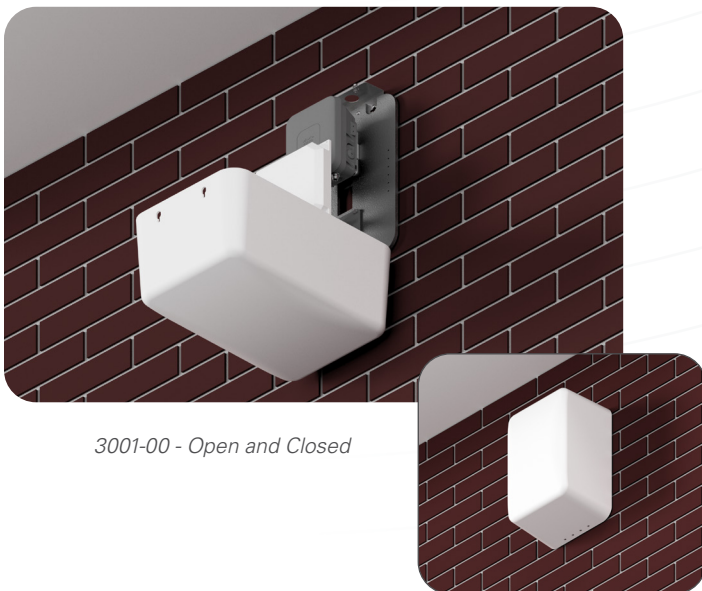
Conceal or customize the appearance of larger APs and external antennas with Oberon Antenna Covers. The 33-VCVR-18125 is designed to conceal larger APs and antennas in indoor open ceiling environments. The 33-ANT-CVR-WH conceals outdoor APs and antennas. The 3001-00 can be used outdoors or indoors. All are made from a plastic that is virtually transparent to wireless signal. The covers are paintable and painting the cover does not void the manufacturer's warranty.



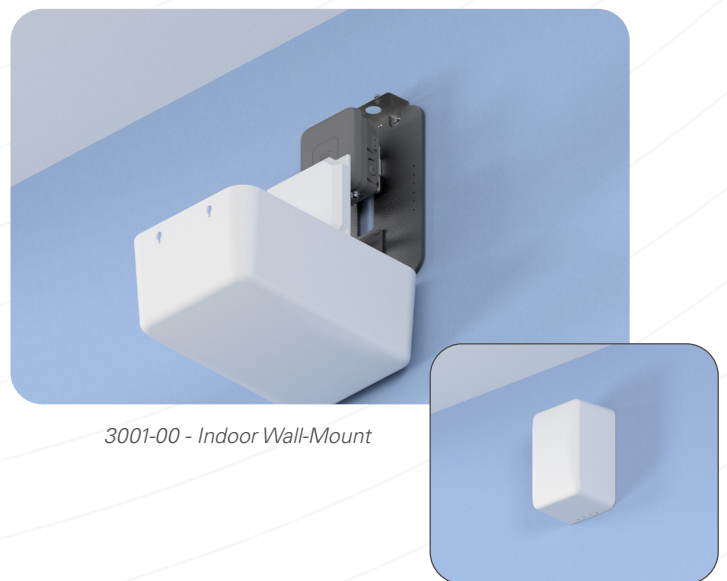
33-ANT-CVR-WH



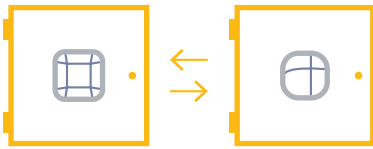
33-VCVR-18125



3001-00 - Open and Closed



3001-00 - Indoor Wall-Mount



## Retrofit Doors and Trims Collection



These retrofit doors and trims permit simple upgrades to new Wi-Fi access points and antennas in installed enclosures and mounts.

Discover more about Doors & Trims at:  
[oberonwireless.com](https://oberonwireless.com)



## Accessories

Add functionality to Oberon mounting solutions with:

- > Wall, pole, underseat and overhead mounting brackets
- > Antenna mounts
- > Cabling accessories

Discover more about Accessories at:  
[oberonwireless.com](https://oberonwireless.com)

Oberon partners with leading technology vendors to support today's businesses with their technology migration and next-generation wireless deployments—from Wi-Fi and 5G cellular for today's bandwidth-intensive requirements, to short- and long-range low-speed wireless technologies for connecting emerging IoT/IIoT wireless sensors that improve efficiency and optimize operations. Visit [oberonwireless.com](https://oberonwireless.com) to learn more about how Oberon can help you optimize next-generation wireless deployments for the digital world.

[sales@oberonwireless.com](mailto:sales@oberonwireless.com)

877-867-2312